

PROJECT INFORMATION SHEET

Project Name: Wiehle Avenue at the W&OD Trail

Agency Administering Project: Fairfax County Department of Transportation (FCDOT)

Project Location:

- District: Hunter Mill Tax Map: 17-4
- Route Number: 828 Fed. Functional Class: Urban Minor Arterial (GS-6)
- Street Name: Wiehle Avenue
- Project Termini
 - From: Isaac Newton Square
 - To: Michael Faraday Court

Project Numbers:

- FCDOT Project No.: 1400102-2013, Fund No.: 500-C50000 (Federal-State Grant Fund)
- State Project No.: 0828-029-248
- VDOT UPC: 107439

Project Description: As a part of the Reston Metrorail Access Group's (RMAG) plan to improve vehicle, bicycle, and pedestrian access near the new Wiehle-Reston East Metro Station, this project will provide a new bicycle/pedestrian bridge overpass for the W&OD Trail over Wiehle Avenue to replace the existing at-grade crossing. The new bridge will accommodate both the gravel path and asphalt W&OD trail at this location. Full directional access will be provided to and from Wiehle Avenue. Minor modifications to Wiehle Avenue will be made to accommodate the bridge and the necessary drainage and stormwater management features will be implemented at the project site. A Programmatic Categorical Exclusion, PCE, is planned, but is not available for the Public Hearing.

Project Estimate: \$12 Million

Schedule:

- Land Acquisition Completion Spring 2021
- Final Design Approval Spring 2021
- Utility Relocation Completion Spring 2022
- Construction Begin Summer 2022
- Construction Completion Summer 2023

Civil Rights: Representatives from FCDOT are present to discuss the project and answer your questions. It is the responsibility of FCDOT to ensure that all members of the community are afforded the opportunity to participate in public decisions on transportation systems and projects affecting them.

PROJECT INFORMATION SHEET

FCDOT ensures nondiscrimination and equal employment in all programs and activities in accordance with Title VI and Title VII of the Civil Rights Act of 1964. If you need more information in regards to your civil rights on this project or special assistance for persons with disabilities or limited English proficiency, contact the project manager listed below.

Land Acquisition: The construction of the bridge overpass will not require the displacement of any families, businesses, or non-profit organizations. As we further develop and finalize the design of the project, additional easements may be required beyond the right of way shown on the plans. The property owners will be informed of the exact location of the easements and right of way limits during the land acquisition process prior to construction.

Project Contacts:

FCDOT Project Manager – Sonia Shahnaj, 703-877-5733, Sonia.Shahnaj@fairfaxcounty.gov , 4050 Legato Road, Suite 400, Fairfax, VA 22033

VDOT Project Coordinator - Jeff Daily, 703-259-2993, jeff.daily@vdot.virginia.gov , 4975 Alliance Drive, Fairfax, VA 22030

PROJECT INFORMATION SHEET

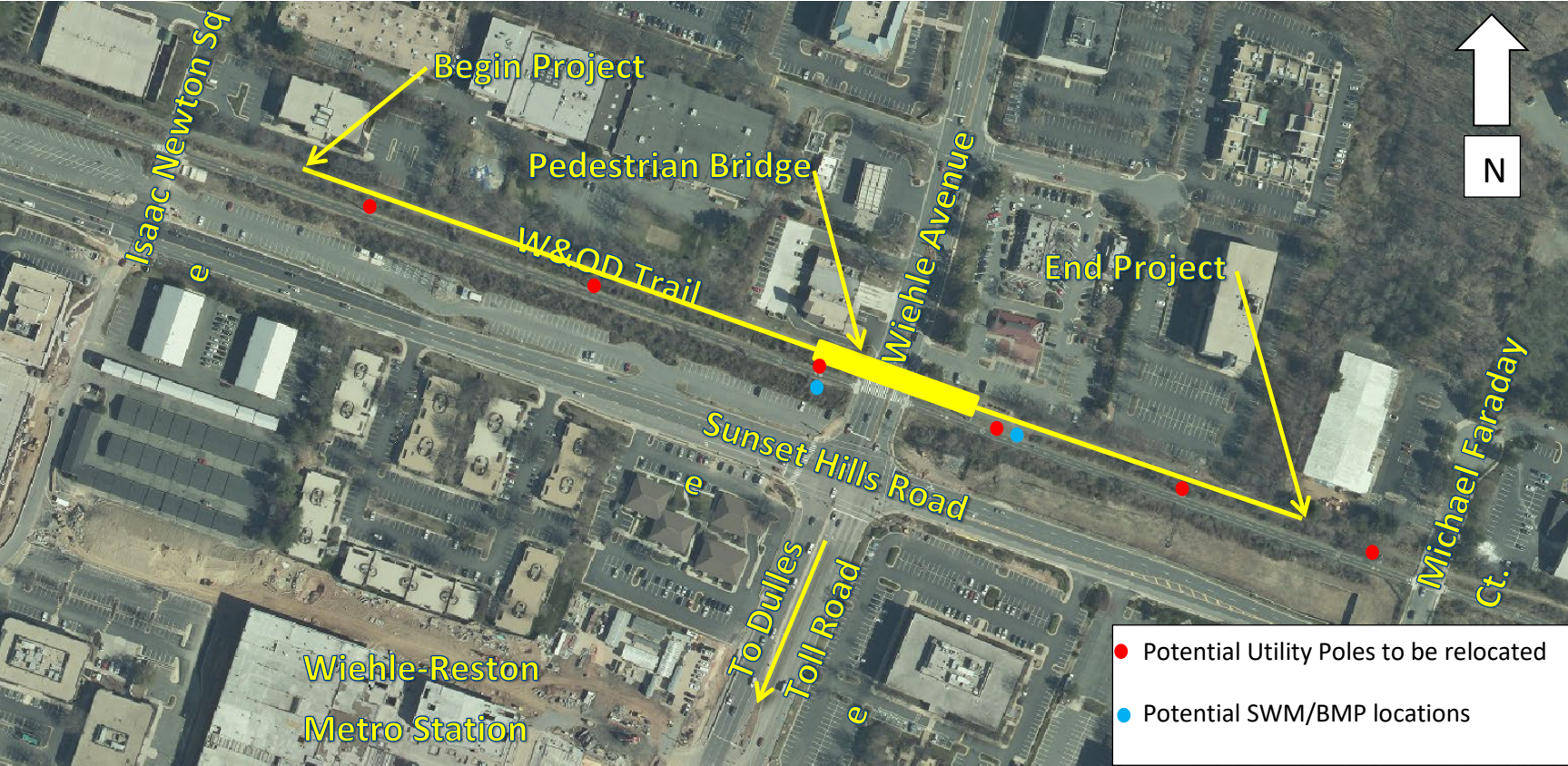
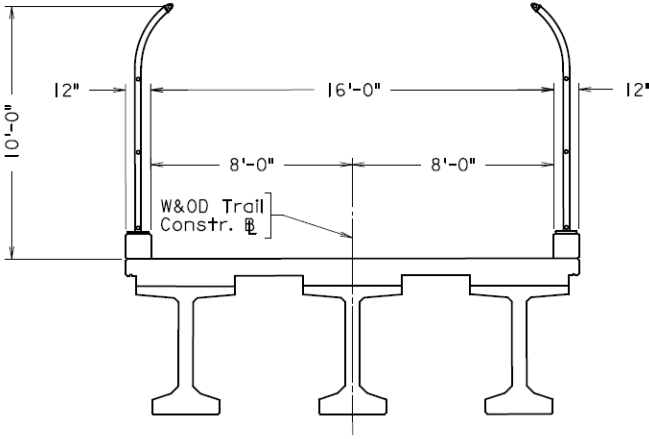
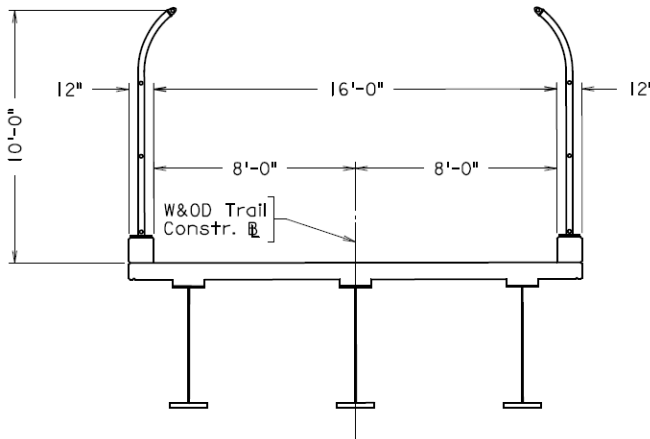


Figure 1 – Location Map

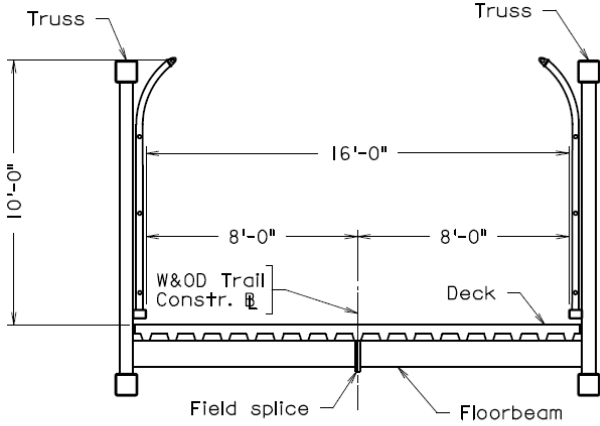
PROJECT INFORMATION SHEET



PRESTRESSED BEAM OPTION



STEEL PLATE GIRDER OPTION



TYPICAL TRUSS SECTION

Figure 2 – Typical Sections for Bridge Options