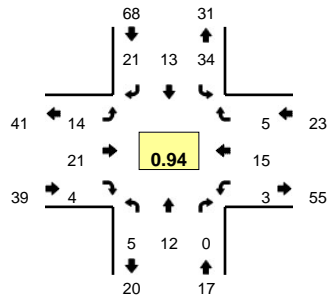
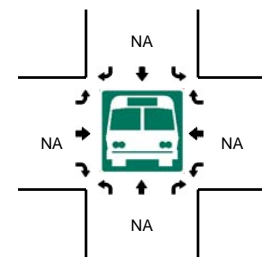
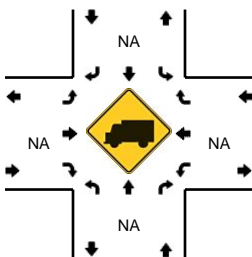
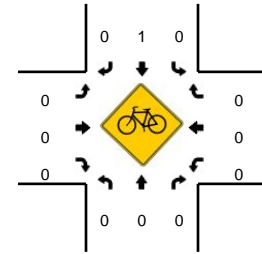
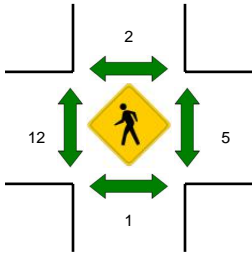
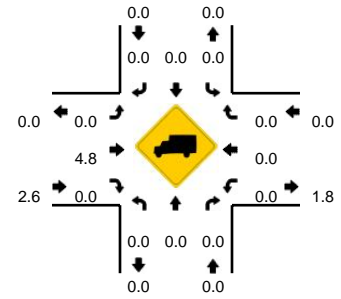


**LOCATION:** Leesburg Pike Service Rd -- Leesburg Pike Right/Sears Dwy  
**CITY/STATE:** Falls Church, VA

**QC JOB #:** 14672802  
**DATE:** Tue, Apr 10 2018



**Peak-Hour: 4:15 PM -- 5:15 PM**  
**Peak 15-Min: 4:15 PM -- 4:30 PM**



15-Min Count Period Beginning At	Leesburg Pike Service Rd (Northbound)				Leesburg Pike Service Rd (Southbound)				Leesburg Pike Right/Sears Dwy (Eastbound)				Leesburg Pike Right/Sears Dwy (Westbound)				Hourly Totals
	Left	Thru	Right	U	Left	Thru	Right	U	Left	Thru	Right	U	Left	Thru	Right	U	
4:00 PM	2	4	0	0	3	7	5	0	1	3	0	0	1	4	3	0	33
4:15 PM	1	4	0	0	13	5	5	0	1	5	0	0	1	4	0	0	39
4:30 PM	2	3	0	0	7	1	6	0	6	5	2	0	1	2	0	0	35
4:45 PM	0	5	0	0	7	3	6	0	5	3	0	0	0	5	4	0	38
5:00 PM	2	0	0	0	7	4	4	0	2	8	2	0	1	4	1	0	35
5:15 PM	1	7	0	0	3	2	5	0	4	2	0	0	0	5	0	0	29
5:30 PM	4	2	0	0	4	6	9	0	2	5	1	0	1	3	3	0	40
5:45 PM	0	2	0	0	6	4	0	0	0	1	1	0	2	1	0	0	17
6:00 PM	3	2	0	0	3	4	2	0	1	5	2	0	1	3	2	0	28
6:15 PM	0	2	0	0	3	5	5	0	1	3	2	0	2	6	1	0	30
6:30 PM	1	0	0	0	2	3	2	0	2	1	0	0	1	2	0	0	14
6:45 PM	1	0	0	0	3	3	0	0	0	6	0	0	0	4	1	0	18
<b>Peak 15-Min Flowrates</b>	<b>Northbound</b>				<b>Southbound</b>				<b>Eastbound</b>				<b>Westbound</b>				<b>Total</b>
	Left	Thru	Right	U	Left	Thru	Right	U	Left	Thru	Right	U	Left	Thru	Right	U	
All Vehicles	4	16	0	0	52	20	20	0	4	20	0	0	4	16	0	0	156
Heavy Trucks	0	0	0	0	0	0	0	0	0	4	0	0	0	0	0	0	4
Pedestrians	0	0	0	0	0	4	0	0	0	4	0	0	0	8	0	0	16
Bicycles	0	0	0	0	0	0	0	0	0	0	0	0	0	0	0	0	0
Railroad	0	0	0	0	0	0	0	0	0	0	0	0	0	0	0	0	0
Stopped Buses	0	0	0	0	0	0	0	0	0	0	0	0	0	0	0	0	0

Comments: