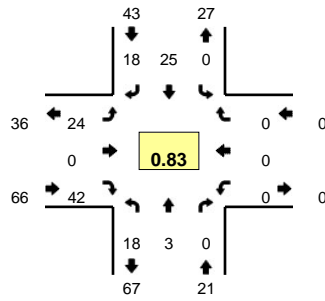
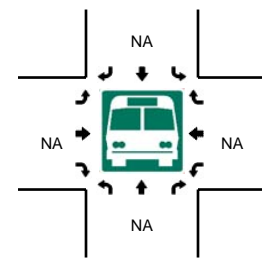
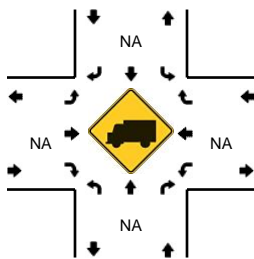
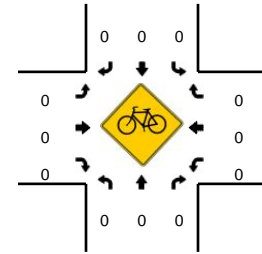
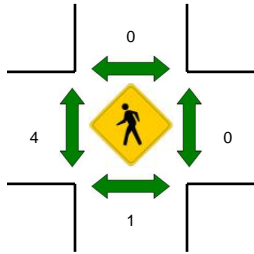
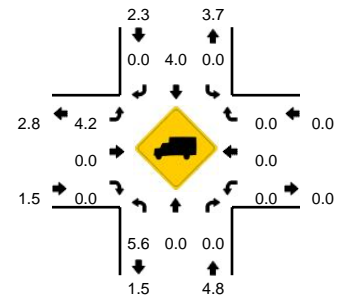


LOCATION: Leesburg Pike Service Rd -- Juniper Ln
CITY/STATE: Falls Church, VA

QC JOB #: 14672805
DATE: Tue, Apr 10 2018



Peak-Hour: 7:30 AM -- 8:30 AM
Peak 15-Min: 7:30 AM -- 7:45 AM



15-Min Count Period Beginning At	Leesburg Pike Service Rd (Northbound)				Leesburg Pike Service Rd (Southbound)				Juniper Ln (Eastbound)				Juniper Ln (Westbound)				Total	Hourly Totals
	Left	Thru	Right	U	Left	Thru	Right	U	Left	Thru	Right	U	Left	Thru	Right	U		
6:00 AM	0	0	0	0	0	1	1	0	0	0	0	0	0	0	0	0	2	
6:15 AM	2	0	0	0	0	1	1	0	0	0	2	0	0	0	0	0	6	
6:30 AM	0	1	0	0	0	2	1	0	0	0	1	0	0	0	0	0	5	
6:45 AM	1	0	0	0	0	2	2	0	3	0	1	0	0	0	0	0	9	22
7:00 AM	1	0	0	0	0	1	2	0	5	0	3	0	0	0	0	0	12	32
7:15 AM	0	0	0	0	0	3	3	0	6	0	11	0	0	0	0	0	23	49
7:30 AM	1	0	0	0	0	10	4	0	10	0	14	0	0	0	0	0	39	83
7:45 AM	3	1	0	0	0	5	5	0	4	0	8	0	0	0	0	0	26	100
8:00 AM	3	0	0	0	0	5	7	0	5	0	12	0	0	0	0	0	32	120
8:15 AM	11	2	0	0	0	5	2	0	5	0	8	0	0	0	0	0	33	130
8:30 AM	2	2	0	0	0	11	8	0	5	0	8	0	0	0	0	0	36	127
8:45 AM	3	5	0	0	0	6	2	0	4	0	4	0	0	0	0	0	24	125
Peak 15-Min Flowrates	Northbound				Southbound				Eastbound				Westbound				Total	
All Vehicles	4	0	0	0	0	40	16	0	40	0	56	0	0	0	0	0	156	
Heavy Trucks	0	0	0	0	0	4	0	0	0	0	0	0	0	0	0	0	4	
Pedestrians	0	0	0	0	0	0	0	0	0	0	0	0	0	0	0	0	0	
Bicycles	0	0	0	0	0	0	0	0	0	0	0	0	0	0	0	0	0	
Railroad																		
Stopped Buses																		

Comments: