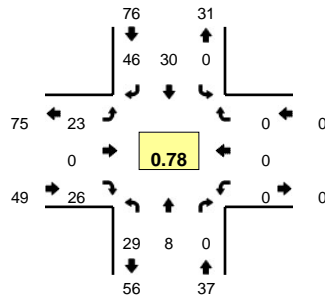
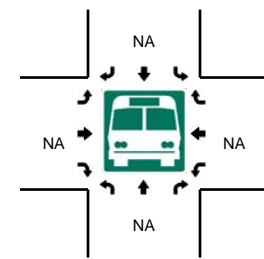
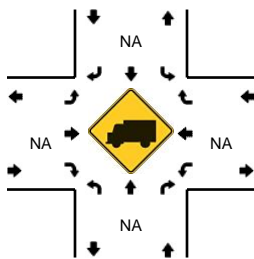
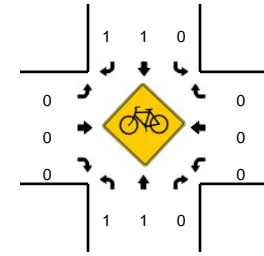
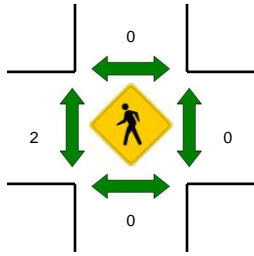
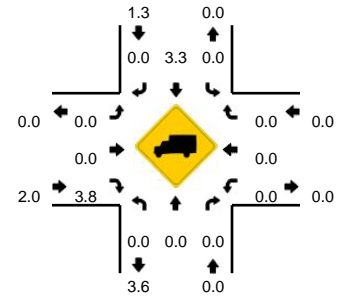


**LOCATION:** Leesburg Pike Service Rd -- Juniper Ln  
**CITY/STATE:** Falls Church, VA

**QC JOB #:** 14672806  
**DATE:** Tue, Apr 10 2018



**Peak-Hour: 5:45 PM -- 6:45 PM**  
**Peak 15-Min: 6:15 PM -- 6:30 PM**



15-Min Count Period Beginning At	Leesburg Pike Service Rd (Northbound)				Leesburg Pike Service Rd (Southbound)				Juniper Ln (Eastbound)				Juniper Ln (Westbound)				Total	Hourly Totals
	Left	Thru	Right	U	Left	Thru	Right	U	Left	Thru	Right	U	Left	Thru	Right	U		
4:00 PM	10	1	0	0	0	5	18	0	3	0	5	0	0	0	0	0	42	
4:15 PM	5	1	0	0	0	8	9	0	2	0	4	0	0	0	0	0	29	
4:30 PM	10	2	0	0	0	6	10	0	8	0	5	0	0	0	0	0	41	
4:45 PM	7	2	0	0	0	8	14	0	7	0	5	0	0	0	0	0	43	155
5:00 PM	10	1	0	0	0	9	3	0	8	0	7	0	0	0	0	0	38	151
5:15 PM	9	3	0	0	0	8	6	0	4	0	6	0	0	0	0	0	36	158
5:30 PM	10	2	0	0	0	8	9	0	1	0	4	0	0	0	0	0	34	151
5:45 PM	3	1	0	0	0	5	12	0	7	0	2	0	0	0	0	0	30	138
6:00 PM	7	2	0	0	0	8	10	0	4	0	10	0	0	0	0	0	41	141
6:15 PM	9	1	0	0	0	11	20	0	6	0	5	0	0	0	0	0	52	157
6:30 PM	10	4	0	0	0	6	4	0	6	0	9	0	0	0	0	0	39	162
6:45 PM	9	0	0	0	0	2	6	0	4	0	2	0	0	0	0	0	23	155
<b>Peak 15-Min Flowrates</b>	<b>Northbound</b>				<b>Southbound</b>				<b>Eastbound</b>				<b>Westbound</b>				<b>Total</b>	
All Vehicles	36	4	0	0	0	44	80	0	24	0	20	0	0	0	0	0	208	
Heavy Trucks	0	0	0	0	0	0	0	0	0	0	0	0	0	0	0	0	0	
Pedestrians	0	0	0	0	0	0	0	0	0	0	0	0	0	0	0	0	0	
Bicycles	0	0	0	0	0	0	1	0	0	0	0	0	0	0	0	0	1	
Railroad																		
Stopped Buses																		

Comments: